



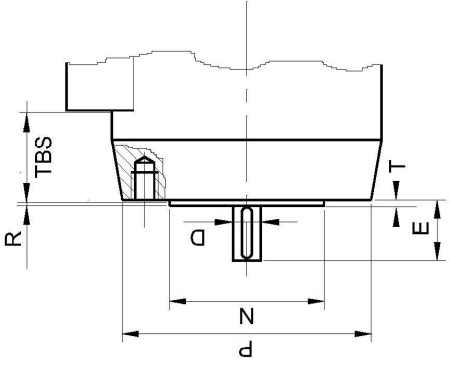
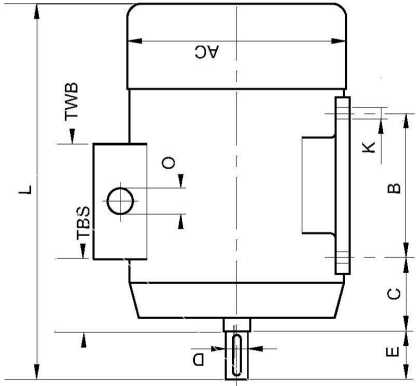
# DIMENSIONAL DATA SHEET

TECHNICAL SUPPORT 0121 708 4522

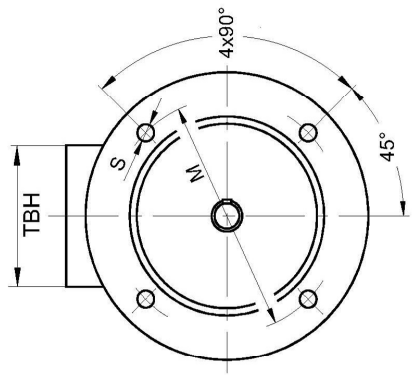


## EFF 2 TEC A SERIES B1 4 FACE MOUNTED

Dimensions in MM

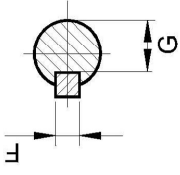


56 - 132 FRAME



| FRAME SIZE | MAIN DIMENSIONS |     |       | B5 FLANGE DIMENSIONS |            |            |            |   |            |            |    | SHAFT |      |    |     | TERMINAL BOX |  |
|------------|-----------------|-----|-------|----------------------|------------|------------|------------|---|------------|------------|----|-------|------|----|-----|--------------|--|
|            | L               | AC  | O     | TYPE                 | P          | N          | M          | R | S          | T          | D  | E     | G    | F  | TBS | TBW/TBW      |  |
| 56         | 195             | 120 | 1*M16 | FC<br>FB             | 80         | 50         | 65         | 0 | M5         | 2.5        | 9  | 20    | 7.2  | 3  | 14  | 88           |  |
| 63         | 215             | 130 | 1*M16 | FC<br>FB             | 90<br>120  | 60<br>80   | 75<br>100  | 0 | M5<br>M6   | 2.5<br>115 | 11 | 23    | 8.5  | 4  | 14  | 94           |  |
| 71         | 255             | 145 | 1*M20 | FC<br>FB             | 105<br>140 | 70<br>95   | 85<br>115  | 0 | M6<br>M8   | 2.5<br>3   | 14 | 30    | 11   | 5  | 20  | 94           |  |
| 80         | 290             | 165 | 1*M20 | FC<br>FB             | 120<br>160 | 80<br>110  | 100<br>130 | 0 | M6<br>M8   | 3<br>3.5   | 19 | 40    | 15.5 | 6  | 27  | 105          |  |
| 90S        | 310             | 185 | 1*M20 | FC<br>FB             | 140<br>160 | 95<br>110  | 115<br>130 | 0 | M8<br>M8   | 3<br>3.5   | 24 | 50    | 20   | 8  | 30  | 105          |  |
| 90         | L1              | 335 | 1*M20 | FC                   | 140        | 95         | 115        | 0 | M8         | 3          | 24 | 50    | 20   | 8  | 30  | 105          |  |
|            | L2              | 365 | 1*M20 | FB                   | 160        | 110        | 130        | 0 | M8         | 3.5        | 24 | 50    | 20   | 8  | 30  | 105          |  |
| 100        | 386             | 205 | 1*M20 | FC<br>FB             | 160<br>200 | 110<br>130 | 130<br>165 | 0 | M8<br>M10  | 3.5<br>3.5 | 28 | 60    | 24   | 8  | 26  | 105          |  |
| 112        | 395             | 230 | 2*M25 | FC<br>FB             | 160<br>200 | 110<br>130 | 130<br>165 | 0 | M8<br>M10  | 3.5<br>3.5 | 28 | 60    | 24   | 8  | 32  | 112          |  |
| 132 S      | 436             | 270 | 2*M25 | FC<br>FB             | 200<br>250 | 130<br>180 | 165<br>215 | 0 | M10<br>M12 | 4<br>4     | 38 | 80    | 33   | 10 | 38  | 112          |  |
| 132        | M               | 475 | 2*M25 | FC                   | 200        | 130        | 165        | 0 | M10        | 4          | 38 | 80    | 33   | 10 | 38  | 112          |  |
|            | L               | 500 | 2*M25 | FB                   | 250        | 180        | 215        | 0 | M12        | 4          | 38 | 80    | 33   | 10 | 38  | 112          |  |

Shaft Dimensions



TECA THREE PHASE DATA

